

SHARP

Be Original.

BP-90C70

Digital Full Colour Multifunctional System

A heavy-duty solution for colour printing on demand



High Productivity

The BP-90C70 delivers a fast output of 70 ppm*¹ in colour and 75 ppm*¹ in B/W—even for paper as thick as 220 g/m². And if toner runs out during a print job, the MFP continues printing your documents while you change the toner cartridge.

On-Screen System Information

The 15.4-inch full-flat touchscreen control panel shows the state of your MFP, displaying current operation and notifications for things like paper, toner, and maintenance.

Versatile Paper Handling

Handling a wide range of paper types and sizes, this MFP expands your possibilities for printing. Along with standard sizes up to SRA3/A3W, it can take extra-long and custom sizes. What's more, it handles paper thicknesses up to 360 g/m² as well as envelopes and other types of paper.

All the Needed Finishing Options

Finishing options are available for all your common needs—there's an inserter, a folding unit, a saddle stitch finisher, and a trimming module. These let you easily create professional-looking direct mail, handouts, booklets, brochures, and more.

Solid Security

The BP-90C70 has multiple levels of security to keep the device—and your precious data—secure.

Unified Cloud Connection*²

You only need to sign in once to connect to multiple cloud services, such as Microsoft Teams, from the MFP. Applications can also be easily downloaded from the cloud. Updates are clearly displayed, so you're always using the latest version of services.

Superb Print Quality

The MFP supports 2,400 dpi writing resolution, so that fine lines and small text come out crisp and clear. For efficient front-to-back registration, the MFP automates adjustments of the vertical/horizontal ratio and position settings.

Full-Bleed Printing

Edge-to-edge printing is available for both Windows and Mac printer drivers, with the MFP supporting A3 and A4 paper as well as paper up to 668 mm long. This helps you create eye-catching posters. And with the optional trimming module and saddle stitch finisher, you can also make full-bleed A4- and A5-size booklets.

Fiery® Server (option)

You can pair the MFP with a Fiery server—external or embedded—to manage a busy on-demand printing environment. For example, you could use the Sharp printer driver for standard text documents and the Fiery printer driver for graphic-rich documents. You need to register your paper settings only once—the settings on the Fiery server are automatically reflected on the Sharp MFP, and vice versa.

Eco-Friendly Design

Despite its many functions, this MFP achieves superb energy efficiency. For example, the use of low-temperature-fusing toner results in vastly reduced energy consumption for the MFP.

High-Performance DSPF

The DSPF (duplex single pass feeder) scans both pages of two-sided documents in one pass—in batches of up to 300 sheets. With scanning speeds of up to 280 opm*³ (two-sided), the MFP is quick to finish even large jobs.

*1: A4, long-edge feeding. *2: Optional equipment is required. *3: Originals per minute; when feeding A4 sheets.

PROFESSIONAL-QUALITY PRINTING AND IN-LINE FINISHING OPTIONS

The MFD can be equipped to suit a variety of workplaces and applications. It supports full-bleed printing in all configurations. And you can choose finishing options to automate time-consuming finishing tasks.

Features		MX-FN21 Finisher	MX-FN21 Finisher +	MX-FN22 Saddle Stitch Finisher	MX-FN22 Saddle Stitch Finisher +
			MX-FD10 Folding Unit		MX-FD10 Folding Unit
Stapling		✓	✓	✓	✓
Punching*1		✓	✓	✓	✓
Saddle folding				✓	✓
Saddle stitching				✓	✓
Half-folding			✓		✓
Z-folding			✓		✓
C-folding			✓		✓
Accordion folding			✓		✓
Double folding			✓		✓
Trimming*2				✓	✓
Insertion*2		✓	✓	✓	✓
Edge-to-edge printing (one sheet)		✓	✓	✓	✓
Edge-to-edge printing (booklet)				✓	✓

*1: Requires optional punch module. *2: Requires optional trimming module. *2: Requires optional inserter.

Stapling

Rear corner Front corner 2-point side

Punching

2-hole punching 3-hole punching 4-hole punching 4-hole wide punching

Saddle Folding/Stitching

Saddle fold Saddle stitch

Trimming

Edge-to-edge Printing

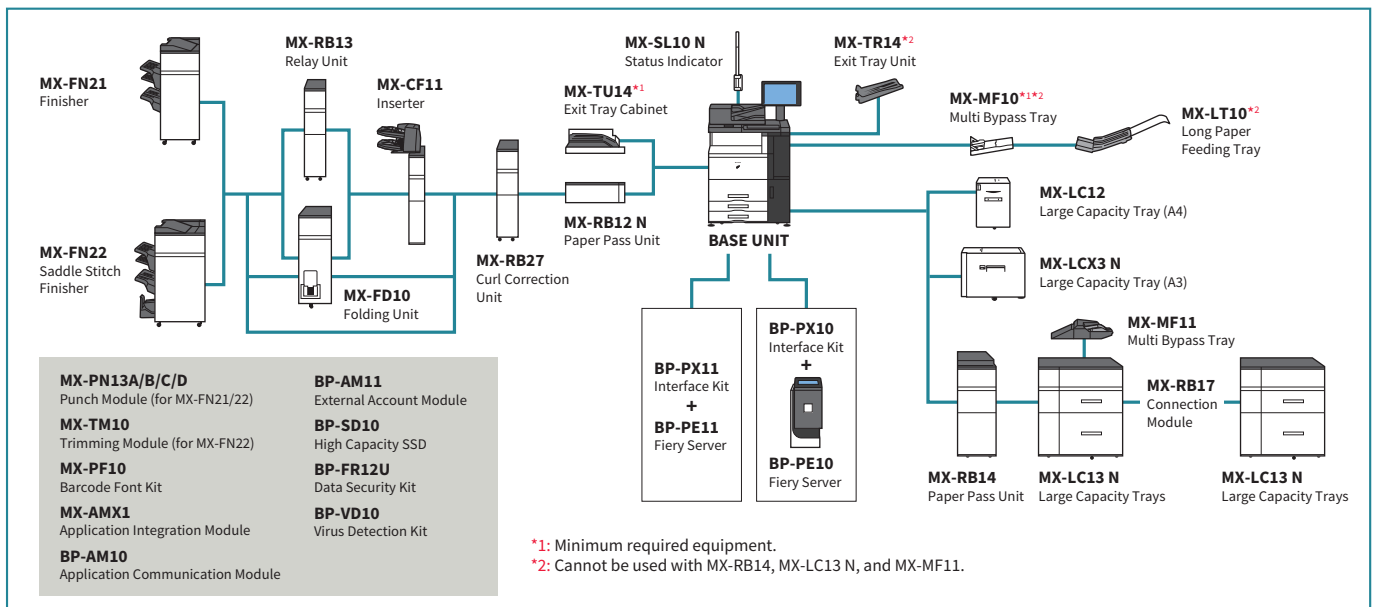
Folding

Half-fold Z-fold C-fold Accordion fold Double fold

Insertion

Cover Inner page

SYSTEM CONFIGURATION



*1: Minimum required equipment.
*2: Cannot be used with MX-RB14, MX-LC13 N, and MX-MF11.

SPECIFICATIONS FOR OPTIONAL EQUIPMENT

MX-FN21 Finisher

Paper size	Non offset	SRA3/A3W to A5*1 Custom sizes up to 330 x 488 mm
	Offset/staple	A3 to B5*2
Paper weight	Non offset/offset	55 to 360 g/m ²
	Staple	60 to 300 g/m ²
Paper capacity	Upper tray (Non offset)	1,500 sheets (A4*2, B5*2, A5*1)
		750 sheets (SRA3, A3W, A3, B4, A4*1, B5*1)
		100 sets or 1,500 sheets (A4*2, B5*2)
	Lower tray (Non offset)	50 sets or 750 sheets (A3, B4, A4*1)
		2,500 sheets (A4*2, B5*2), 1,500 sheets (A5*1)
		750 sheets (SRA3, A3W, A3, B4, A4*1, B5*1)
Middle tray (Non offset)	(Offset)	1,500 sheets (A4*2, B5*2), 750 sheets (A3, B4, A4*1)
	(Staple)	100 sets (A4*2, B5*2), 50 sets (A3, B4, A4*1)
Stapling capacity ³		250 sheets (A4*2, B5*2, A5*1)
Staple position		125 sheets (A3, B4, A4*1, B5*1), 30 sheets (SRA3, A3W)
Power consumption (max.)		100 sheets (A4*2, B5*2), 50 sheets (A3, B4, A4*1)
Power requirements		3 locations (front, rear, or 2-point stapling)
Dimensions	With tray stored	200 W, 350 W with MX-FD10
	With tray extended	AC 230 V, 10 A
Weight (approx.)		654 x 765 x 1,040 mm (W x D x H)
		782 x 765 x 1,040 mm (W x D x H)
		61 kg

MX-FN22 Saddle Stitch Finisher

Paper size	Non offset	SRA3/A3W to A5*1 Custom sizes up to 330 x 488 mm
	Offset/staple	A3 to B5*2
Paper weight	Non offset/offset	55 to 360 g/m ²
	Staple/saddle stitch/folding	60 to 300 g/m ²
Paper capacity	Upper tray (Non offset)	1,500 sheets (A4*2, B5*2, A5*1)
		750 sheets (SRA3, A3W, A3, B4, A4*1, B5*1)
		100 sets or 1,500 sheets (A4*2, B5*2)
	Lower tray (Non offset)	50 sets or 750 sheets (A3, B4, A4*1)
		2,500 sheets (A4*2, B5*2), 1,500 sheets (A5*1)
		750 sheets (SRA3, A3W, A3, B4, A4*1, B5*1)
Middle tray (Non offset)	(Offset)	1,500 sheets (A4*2, B5*2)
	(Staple)	750 sheets (A3, B4, A4*1)
Saddle stitch tray		100 sets (A4*2, B5*2), 50 sets (A3, B4, A4*1)
		250 sheets (A4*2, B5*2, A5*1)
Stapling capacity ³		125 sheets (A3, B4, A4*1, B5*1), 30 sheets (SRA3, A3W)
Staple position		1 to 5 sheets: 25 sets, 6 to 10 sheets: 15 sets, 11 to 15 sheets: 10 sets, 16 to 20 sheets: 5 sets
Power consumption (max.)		100 sheets (A4*2, B5*2), 50 sheets (A3, B4, A4*1)
Power requirements		3 locations (front, rear, 2-point stapling)
Dimensions	With tray stored	200 W, 350 W with MX-FD10
	With tray extended	AC 230 V, 10 A
Weight (approx.)		767 x 765 x 1,040 mm (W x D x H)
		896 x 765 x 1,040 mm (W x D x H)
		108 kg

Punch Modules

Model name	For the MX-FN21/22	MX-PN13A	MX-PN13B	MX-PN13C	MX-PN13D
Number of holes		2	3	4/2	4 (wide)
Paper weight		55 to 256 g/m ²			
Power requirements		Supplied by MX-FN21/FN22 Finisher			

MX-TM10 Trimming Module (for MX-FN22)

Paper size	SRA3/A3W to A4*1 Custom sizes up to 330 x 488 mm
Paper weight	60 to 300 g/m ²
Acceptable number of sheets ⁴	2 to 20 sheets (60 to 81.4 g/m ²) 2 to 10 sheets (81.4 to 105 g/m ²) 2 to 3 sheets (105 to 220 g/m ²)
Trim width	2 to 20 mm in 0.1 mm increments
Power requirements	Supplied by MX-FN22 Finisher
Weight (approx.)	32 kg

MX-FD10 Folding Unit

Folding mode	Z-fold, C-fold, Accordion-fold, Double-fold, Half-fold	
Paper size	Z-fold ⁵ A3 to A4*1	
	Half-*5/C-/Accordion-/Double-fold A4*1	
Paper capacity	Z-fold*5	30 sheets (A3, B4), 10 sheets (A4)
	Half-fold*5	10 sheets (A4*1)
	C-/Accordion-fold	40 sheets (A4*1)
	Double-fold	25 sheets (A4*1)
Paper weight	55 to 105 g/m ²	
Power requirements	Supplied by MX-FN21/FN22 Finisher	
Dimensions	336 x 793 x 1,050 mm (W x D x H)	
Weight (approx.)	66 kg	

MX-RB27 Curl Correction Unit

Paper size	SRA3/A3W to A5*1 Custom sizes up to 330 x 488 mm
Paper weight	55 to 360 g/m ²
Power requirements	Supplied by main unit
Dimensions	214 x 762 x 986 mm (W x D x H)
Weight (approx.)	19 kg

MX-CF11 Inserter

Paper size	SRA3/A3W to A5*1 Custom sizes up to 330 x 488 mm	
Paper weight	60 to 220 g/m ²	
Paper capacity	Upper/lower tray 200 sheets/each	
Power requirements	Supplied by main unit	
Dimensions	With tray stored	540 x 760 x 1,276 mm (W x D x H)
	With tray extended	690 x 760 x 1,276 mm (W x D x H)
Weight (approx.)	45 kg	

MX-LC12 Large Capacity Tray (A4)

Paper size	A4*2, B5*2
Paper weight	60 to 220 g/m ²
Paper capacity	3,500 sheets
Power requirements	Supplied by main unit
Dimensions	376 x 576 x 524 mm (W x D x H)
Weight (approx.)	29 kg

MX-LCX3 N Large Capacity Tray (A3)

Paper size	SRA3/A3W to B5*2
Paper weight	60 to 220 g/m ²
Paper capacity	3,000 sheets
Power requirements	Supplied by main unit
Dimensions	670 x 570 x 525 mm (W x D x H)
Weight (approx.)	50 kg

MX-LC13 N Large Capacity Trays

Paper size	SRA3/A3W to B5 Custom sizes up to 330 x 488 mm
Paper weight	55 to 360 g/m ²
Paper capacity	Upper/lower tray 2,500 sheets/each
Power consumption	900 W
Power requirements (max.)	AC 230 V, 10 A
Dimensions	895 x 763 x 986 mm (W x D x H)
Weight (approx.)	131 kg

MX-MF10 Multi Bypass Tray

Paper size	SRA3/A3W to A6*6 Custom sizes up to 330 x 488 mm	
Paper weight	55 to 360 g/m ²	
Paper capacity	100 sheets	
Dimensions	With tray stored	180 x 416 x 316 mm (W x D x H)
	With tray extended	465 x 416 x 117 mm (W x D x H)
	With auxiliary guide extended	579 x 416 x 117 mm (W x D x H)
Weight (approx.)	3 kg	

MX-MF11 Multi Bypass Tray (for MX-LC13 N)

Paper size	SRA3/A3W to A5*1 Custom sizes up to 330 x 488 mm	
Paper weight	55 to 220 g/m ²	
Paper capacity	500 sheets	
Power requirements	Supplied by MX-LC13 N Large Capacity Trays	
Dimensions	With tray stored	705 x 556 x 203 mm (W x D x H)
	With tray extended	878 x 556 x 203 mm (W x D x H)
Weight (approx.)	18 kg	

MX-LT10 Long Paper Feeding Tray

Paper size	Width	90 to 305 mm
	Length	489 to 1,300 mm
Paper capacity		1 sheet
Dimensions	With tray stored	338 x 195 x 107 mm (W x D x H)
	With tray extended	581 x 195 x 130 mm (W x D x H)
Weight (approx.)		0.8 kg

Note: All specifications relating to paper capacity refer to 80 g/m² paper.

*1: Short-edge feeding.

*2: Long-edge feeding.

*3: Using 80 g/m² paper, can include back and front covers (total of 2 sheets) of heaviest paper that can be stapled.

*4: Can include a single cover sheet of 300 g/m² or less.

*5: Z-fold and half-fold pages are ejected from the finisher (MX-FN21/FN22).

*6: Short-edge feeding for A5 and A6 paper.

SPECIFICATIONS

General

Type	Console
Engine speed (80 g/m²)	A4 ^{*1} : Colour max. 70 ppm, B/W max. 75 ppm A3: Max. 42 ppm ^{*2} A3W/SRA3: Max. 40 ppm ^{*2} 15.4-inch colour LCD touchscreen Max. SRA3/A3W, min. A6 ^{*3}
Control panel display	
Paper size	Standard: 3,100 sheets ^{*4} (1,200-sheet tray, 800-sheet tray, 500-sheet tray x 2, and optional 100-sheet multi bypass tray)
Paper capacity (80 g/m²)	Max.: 13,500 sheets (3,000 sheets & optional 2 x 2,500-sheet tray x 2 and 500-sheet multi-bypass tray)
Paper weight	Tray 1&2: 60 g/m ² to 105 g/m ² Tray 3&4: 60 g/m ² to 300 g/m ² Multi bypass tray (MX-MF10): 55 g/m ² to 360 g/m ² Multi bypass tray (MX-MF11): 55 g/m ² to 220 g/m ² Large capacity tray (MX-LC12, MX-LCX3 N): 60 g/m ² to 220 g/m ² Large capacity trays (MX-LC13 N): 55 g/m ² to 360 g/m ²
Warm-up time^{*5}	80 sec. ^{*6}
Memory	Standard: 6 GB (copy/print shared) 256 GB SSD ^{*6} Option: 512 GB ^{*7*8}
Power requirements	AC 220 V to 240 V, 8 A, 50/60 Hz (10 A plug x 2)
Power consumption	Max. 3.84 kW (220 V to 240 V)
Dimensions (W x D x H)^{*9}	982 x 768 x 1,530 mm
Weight (approx.)	220 kg

Copier

Original paper size	Max. A3
First copy time^{*10}	Full colour: 4.8 sec. B/W: 3.7 sec.
Continuous copy Resolution	Max. 9,999 copies Scan (colour): 600 x 600 dpi Scan (B/W): 600 x 600 dpi, 600 x 400 dpi Print (colour & B/W): 1,200 x 1,200 dpi, 600 x 600 dpi, 9,600 (equivalent) x 600 dpi
Gradation	Equivalent to 256 levels
Zoom range	25% to 400% (25% to 200% using DSPF) in 1% increments
Preset copy ratios	Metric: 10 ratios (5R/5E), inch: 8 ratios (4R/4E)

Network Scanner

Scan method	Push scan (via control panel) Pull scan (TWAIN-compliant application)
Scan speed^{*11} (colour & B/W)	One-sided: Max. 140 originals/min. Two-sided: Max. 280 originals/min.
Resolution	Push scan: 100, 150, 200, 300, 400, 600 dpi Pull scan: 75, 100, 150, 200, 300, 400, 600 dpi 50 dpi to 9,600 dpi via user setting ^{*12}
File formats	TIFF, PDF, PDF/A-1a, PDF/A-1b, encrypted PDF, XPS, compact PDF ^{*13} , JPEG ^{*13} , searchable PDF, OOXML (docx, xlsx, pptx), text (TXT [UTF-8]), rich text (RTF)
Scan destinations	Email/FTP server/network folder (SMB)/USB drive/local drive

^{*1}: Long-edge feeding. ^{*2}: When feeding paper from large capacity tray (MX-LC12, MX-LCX3 N, MX-LC13 N) and multi bypass tray (MX-MF11). ^{*3}: Only short-edge feeding can be used with A6 paper. ^{*4}: Paper capacity on minimum required equipment. ^{*5}: In a standard measurement environment. May vary depending on operating conditions and environment. ^{*6}: When starting the MFP via the power button. 95 seconds when starting via the main power switch. ^{*7}: Storage capacity depends on procurement and sourcing status. ^{*8}: Replacing the standard-equipped SSD with the optional BP-SD10 increases storage capacity to 512 GB. ^{*9}: Including adjusters and protuberances. ^{*10}: Long-edge feeding of A4 sheets from 2nd paper tray, using document glass, without Auto Colour Selection and Auto Colour mode, MFP in fully ready condition. May vary depending on operating conditions and environment. ^{*11}: Based on Sharp's A4 standard chart, using document feeder, long-edge feeding, and factory default settings with Auto Colour Selection off. Scan speed will vary depending on the type of document and the scan settings. ^{*12}: Resolution will vary depending on the size of the scanned area. ^{*13}: Colour/greyscale only. ^{*14}: Storage capacity will vary depending on the type of document and the scan settings. ^{*15}: Printer driver only. ^{*16}: CWS and other

Document Filing

Document filing capacity^{*14}	Main and custom folders: 20,000 pages or 3,000 files Quick file folder: 10,000 pages or 1,000 files
Stored jobs	Copy, print, scan
Storage folders	Quick file folder, main folder, custom folder (max. 1,000 folders)

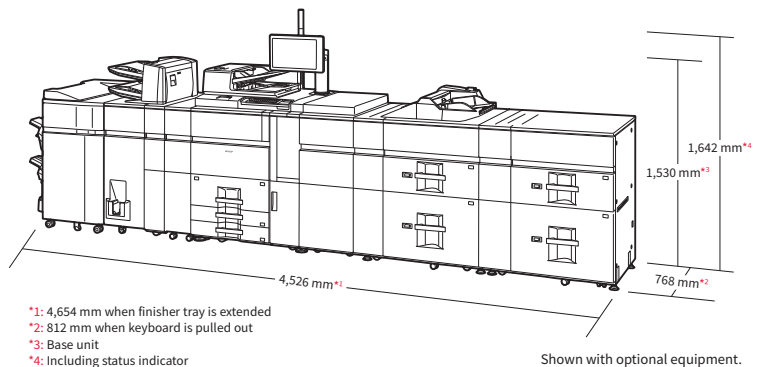
Network Printer

Resolution	2,400 x 2,400 dpi, 1,200 x 1,200 dpi, 600 x 600 dpi, 9,600 (equivalent) x 600 dpi
Interface	USB 2.0 (host, high-speed), USB 3.0 (host, super speed), 10Base-T/100Base-TX/1000Base-T
Supported OS	Windows Server 2012, Windows Server 2012 R2, Windows Server 2016, Windows Server 2019, Windows Server 2022, Windows 10, Windows 11, Mac OS 10.10, 10.11, 10.12, 10.13, 10.14, 10.15, 11, 12, 13 TCP/IP
Network protocols	TCP/IP
Printing protocols	LPR, Raw TCP (port 9100), POP3 (email printing), HTTP, FTP for downloading print files, IPP, IPP Everywhere, SMB, WSD
PDL	PCL 6 emulation, Adobe PostScript 3
Available fonts	80 fonts for PCL, 139 fonts for Adobe PostScript 3

Fiery® Server (option)

	BP-PE10	BP-PE11
Type	External server	Embedded server
Interface kit	BP-PX10	BP-PX11
System software	Fiery FS600 Pro	Fiery FS600
Operating system	Windows 10	Linux
CPU	Intel® Core™ i5-8500	Intel Pentium® G5400
Memory	8 GB DDR4, 1 TB HDD, 240/256 GB SSD	8 GB DDR4, 500 GB HDD
Resolution	1,200 x 1,200 dpi, 600 x 600 dpi (PS, PCL)	
Supported OS	Windows Server 2012 ^{*15} , Windows Server 2012 R2 ^{*15} , Windows Server 2016, Windows Server 2019, Windows Server 2022, Windows 10, Windows 11, Mac OS 10.14 ^{*16} , 10.15, 11, 12, 13	
Network protocols	TCP/IP, LDAP, iPrint thru LPR	
Interface	Gigabit Ethernet	
Printing protocols	LPD, PAP, SMB, port 9100, IPP, FTP printing, print via email, WSD	
PDL	Adobe PostScript 3	
Available fonts	138 fonts for Adobe PostScript 3	
Power requirements	AC 100 V to 240 V, 50/60 Hz	
Power consumption	Max. 350 W	Max. 80 W
Dimensions (W x D x H)	235 x 464 x 528 mm	90 x 272 x 297 mm
Weight (approx.)	17 kg	6 kg

• Design and specifications are subject to change without prior notice.
• Microsoft Teams, Windows, and Windows Server are trademarks of the Microsoft group of companies. Mac is a trademark of Apple Inc., registered in the US and other countries. Fiery is a registered trademark of Fiery, LLC. PCL is a registered trademark of Hewlett-Packard Company. Adobe and PostScript are either registered trademarks or trademarks of Adobe in the US and/or other countries. Intel Core and Pentium are trademarks of Intel Corporation or its subsidiaries. All other brand names and product names may be trademarks or registered trademarks of their respective owners.



^{*1}: 4,654 mm when finisher tray is extended
^{*2}: 812 mm when keyboard is pulled out
^{*3}: Base unit
^{*4}: Including status indicator

Distributed by:

SHARP

SHARP CORPORATION OF AUSTRALIA PTY LTD

ABN 40 003 039 405
P.O. Box 84, Macquarie Park, NSW 2113
Tel: 1300 135 022
www.sharp.net.au